

**BRASS SPRING CHECK VALVE BRASS DISC EUROPA® FEMALE BSP ACS 4MS**

Brass spring check valve for drinking water, heating, compressed air and domestic fuel oil.  
Brass CW617N-4MS body, brass disc and NBR gasket for an excellent low and high pressure tightness.  
Perfect centering of the throttle on the seat thanks to the double axial and lateral guidance  
All positions thanks to the stainless steel AISI 302 spring.



**Size :** DN3/8" to DN4"  
**Connection :** Female BSP  
**Min Temperature :** -10°C  
**Max Temperature :** +100°C  
**Max Pressure :** 25 Bars (up to DN1")  
**Specifications :** All positions  
AISI 302 spring  
Brass disc  
NBR gasket

**Materials :** Brass CW617N-4MS according to EN 12165

**BRASS SPRING CHECK VALVE BRASS DISC EUROPA® FEMALE BSP ACS 4MS**

**SPECIFICATIONS :**

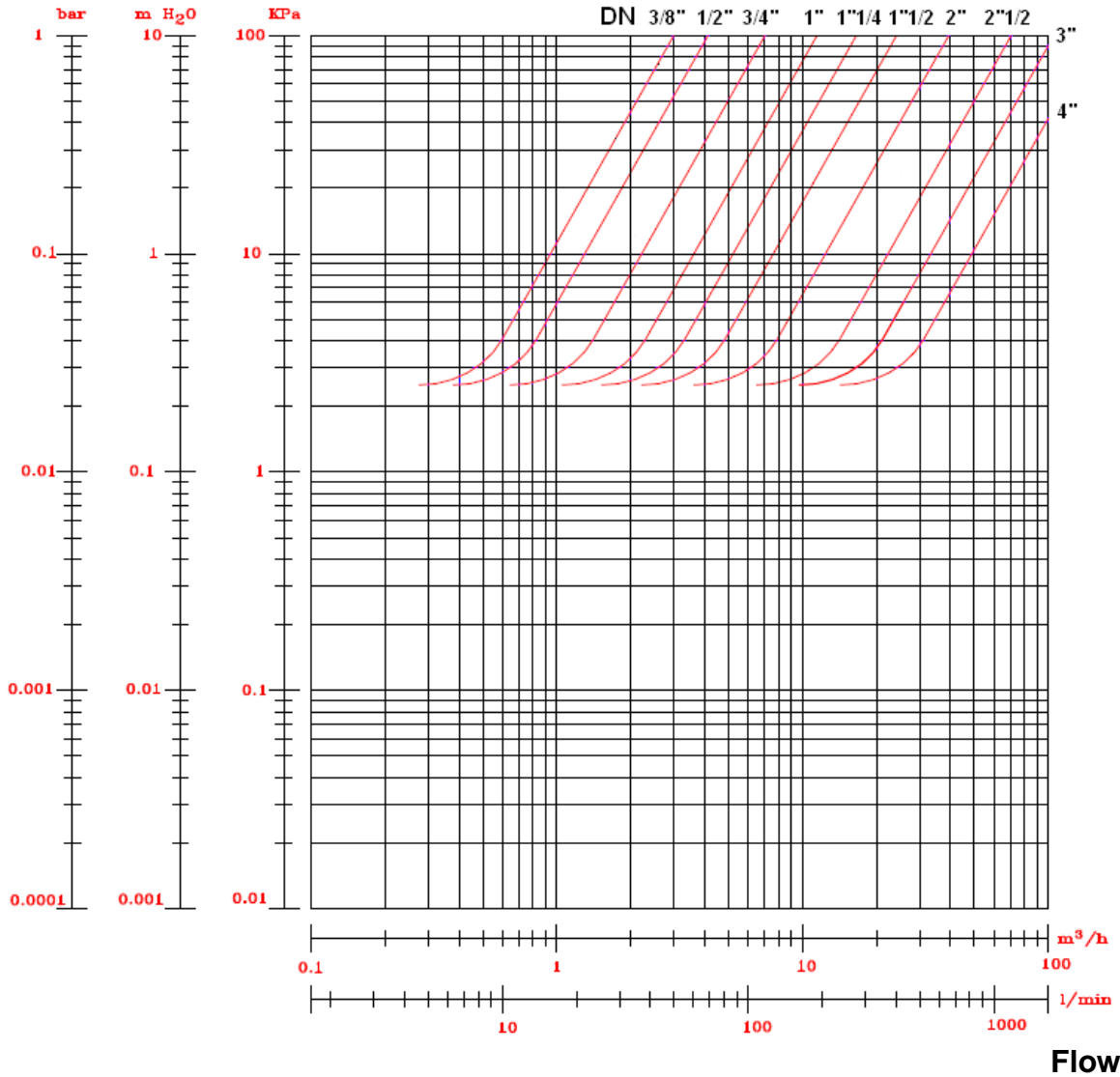
- Respect the flow direction indicated by the arrow
- All positions with SS 302 spring
- Female / female type
- Brass / S.S. throttle
- Weak head loss thanks to the cylindrical internal designing
- Low pressure opening
- Double axial and lateral guide for a better centering of the throttle on the seat
- Brass CW617N-4MS body for a better mechanical strength
- NBR gasket for a better tightness for high and low pressure

**USE :**

- Heating, drinking water, compressed air, domestic fuel oil
- Min Temperature Ts : - 10°C
- Max Temperature Ts :+ 100°C
- Max Pressure Ps : 25 bars up to DN 1" , 18 bars from DN 1"1/4 to DN 2" and 12 bars over
- Vacuum : between 300 and 500 mbar ( from 50 to 70% )

**BRASS SPRING CHECK VALVE BRASS DISC EUROPA® FEMALE BSP ACS 4MS**

**HEAD LOSS GRAPH :**



**FLOW COEFFICIENT Kvs ( m3 / h ) :**

DN	3/8"	1/2"	3/4"	1"	1"1/4"	1"1/2"	2"	2"1/2"	3"	4"
Kvs (m3 / h)	2.99	4.12	7.03	11.45	16.54	24.12	39.32	70.64	105.60	155.30

**OPENING PRESSURE :**

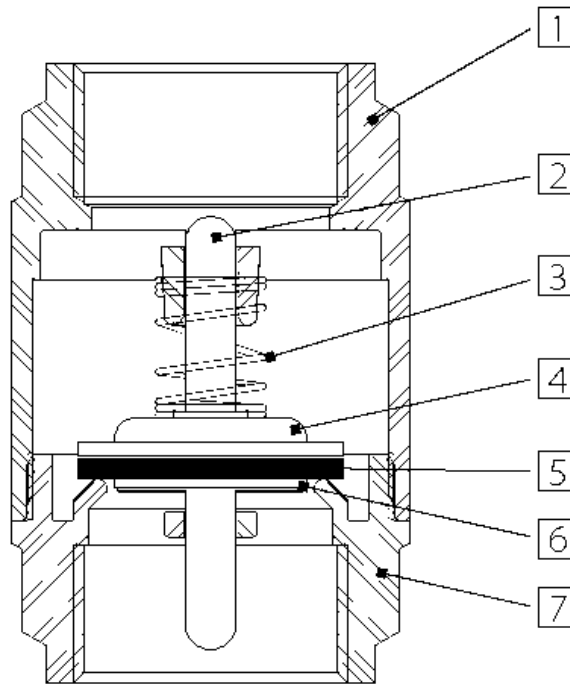
- Opening pressure between 20 and 200 mbar

**RANGE :**

- Threaded BSP cylindric female from DN3/8" to DN4"

**BRASS SPRING CHECK VALVE BRASS DISC EUROPA® FEMALE BSP ACS 4MS**

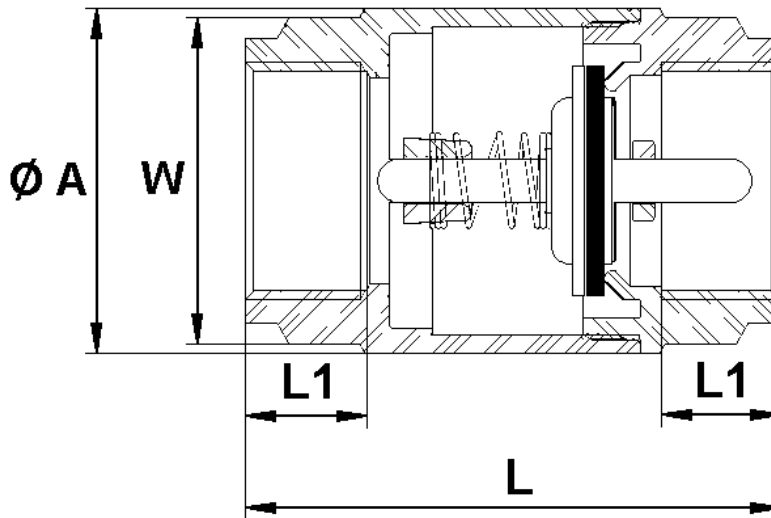
**MATERIALS :**



Item	Designation	Materials
1	Body	Brass CW617N-4MS according to EN 12165
2	Stem	Brass CW614N-4MS according to EN 12164
3	Spring	AISI 302
4	Ring	AISI 304
5	Gasket	NBR
6	Throttle	Brass CW614N-4MS according to EN 12164
7	Bonnet	Brass CW617N-4MS according to EN 12165

**BRASS SPRING CHECK VALVE BRASS DISC EUROPA® FEMALE BSP ACS 4MS**

**SIZE ( in mm ) :**



DN	3/8"	1/2"	3/4"	1"	1"1/4	1"1/2	2"	2"1/2	3"	4"
L	55	58.5	65	74.5	83	93	101	122	141.5	158.5
L1	11	13	14	17	18	19	21	26	27	28
Ø A	34.5	34.5	41.5	48	60.5	71	87	120	140.5	172.5
W ( on flat )	23	27	33	40	50	55	70	87	102	128
Weight ( Kg )	0.19	0.2	0.28	0.41	0.64	0.87	1.31	2.94	4.25	6.54
Ref.	305003	305004	305005	305006	305007	305008	305009	305010	305011	305012

**BRASS SPRING CHECK VALVE BRASS DISC EUROPA® FEMALE BSP ACS 4MS**

**STANDARDS :**

- Manufacturer certified ISO 9001 : 2015
- DIRECTIVE 2014/68/EU : Products excluded from directive ( Article 4, § 3 )
- French water agreement **A.C.S. N° 18 ACC NY 088**
- Threaded female BSP cylindrical ends according to ISO 228-1

**ADVICE :** Our opinion and our advice are not guaranteed and SFERACO shall not be liable for the consequences of damages.  
The customer must check the right choice of the products with the real service conditions.

Sferaco 90 rue du Ruisseau 38297 St Quentin Fallavier Tel: + 33 (0) 474.94.15.90 Fax: + 33 (0) 474.95.62.08 Internet: [www.sferaco.fr](http://www.sferaco.fr) E-mail : [info@sferaco.fr](mailto:info@sferaco.fr)

Date : 02/20

Page 6 sur 6

Rev.04